

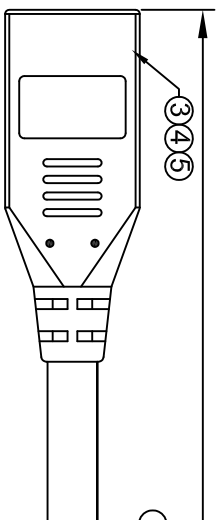
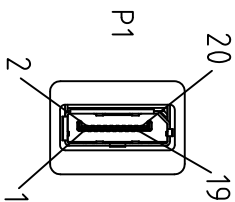
RoHS Compliant

REV  
A0

DESCRIPTION OF CHANGE  
INITIAL RELEASE

DATE  
2012-11-20

DISPLAYPORT  
FEMALE

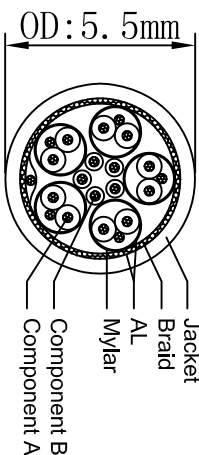
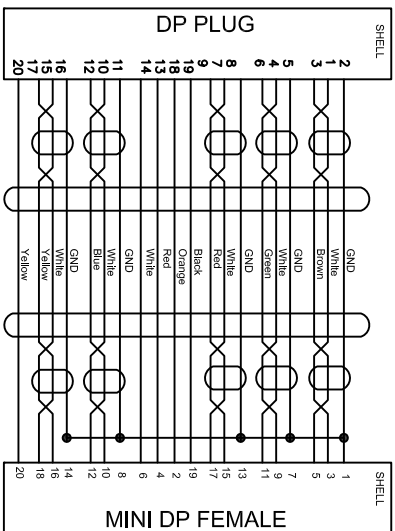
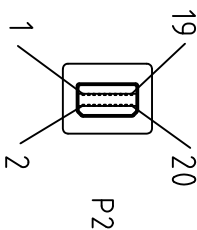


200 ± 10mm

20 ± 5mm

8.2 ± 0.1

MINI DISPLAYPORT PLUG



NOTES:

1. ELECTRICAL PROPERTIES:

- 1.1 100% open and short test.
  - 1.2 Conductor resistance: 5 OHMS
  - 1.3 Insulation resistance: 10 MEGOHMS
  - 1.4 HI pot: DC300V/0.01S
  - 1.5 Audio & Video test, Output resolution: 1920\*1080 P
2. All material be ROHS compliant.

NO.	Material name	Item number	Specifications Description	Quantity
7	Tag	AM-BK00137	Black background, White character (MDP-DP1)	1 Pcs
6	Dust cap	OR-0007	Mini DP Dust cap	1 Pcs
5	PVC	PVC-0001	60P Black PVC	16.75g
4	PE	PE-0001	LDPE (Rolls)-PE101	4.40g
3	Connector	CN-G0077	DP (F) +PCH, gold-plated	1 Pcs
2	Connector	CN-G0001	Mini DP (M), gold-plated	1 Pcs
1	Cable	DP1-55-3207	UL20276 (32AWG)*1P+D+AL/MV *5C+32AWG*5C+MV/AL+BRRAID, JACKET PVC BLACK, OD=5.5 ± 0.20mm L=155+5/-0mm	1 Pcs

圖號 (DWG NO)	XY-10662	單位 (UNIT):	MM
版次 (REV):	A0	比例 (SCALE):	1:1
頁次 (PAGE):	1/1	繪圖人 (DRAWN):	Dean
設計 (DESIGN)	Dean	審核 (CHECKED)	
批准 (APPROVED)		審核 (APPROVED)	



TITLE  
DP to Mini DP Cable

PART NO  
MDP-DP1