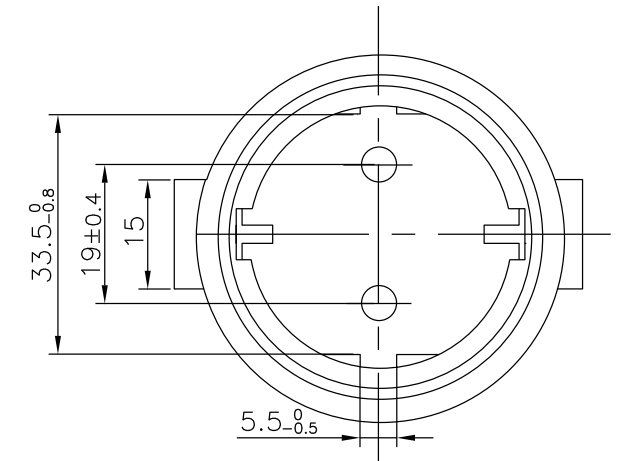


H05VV-F 3X1mm²



④	TAG	1PCS	DELTACO TAG
③	CEE7/4(Schuko)	1PCS	BLACK PVC
②	IEC C14	1PCS	BLACK PVC
①	CABLE	1PCS	H05VV-F 3*1mm ² BLACK PVC JACKET OD:6.7±0.2mm
NO	PARTS NAMF	O'TY	SPFCIFICATION

APPROVED	CHECKED	DRAWN	ITEM NO.	DEL-109P-50
			DRAW NO.	
			UNIT	mm
			SCALE	NONE

DESCRIPTION:
IEC C14 Male— CEE7/4(Schuko) Female
H05VV-F 3*1mm²
0.5m

