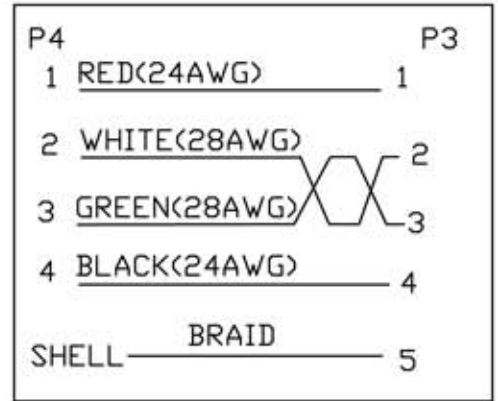
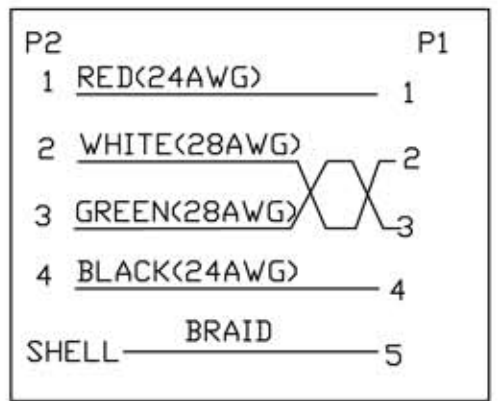
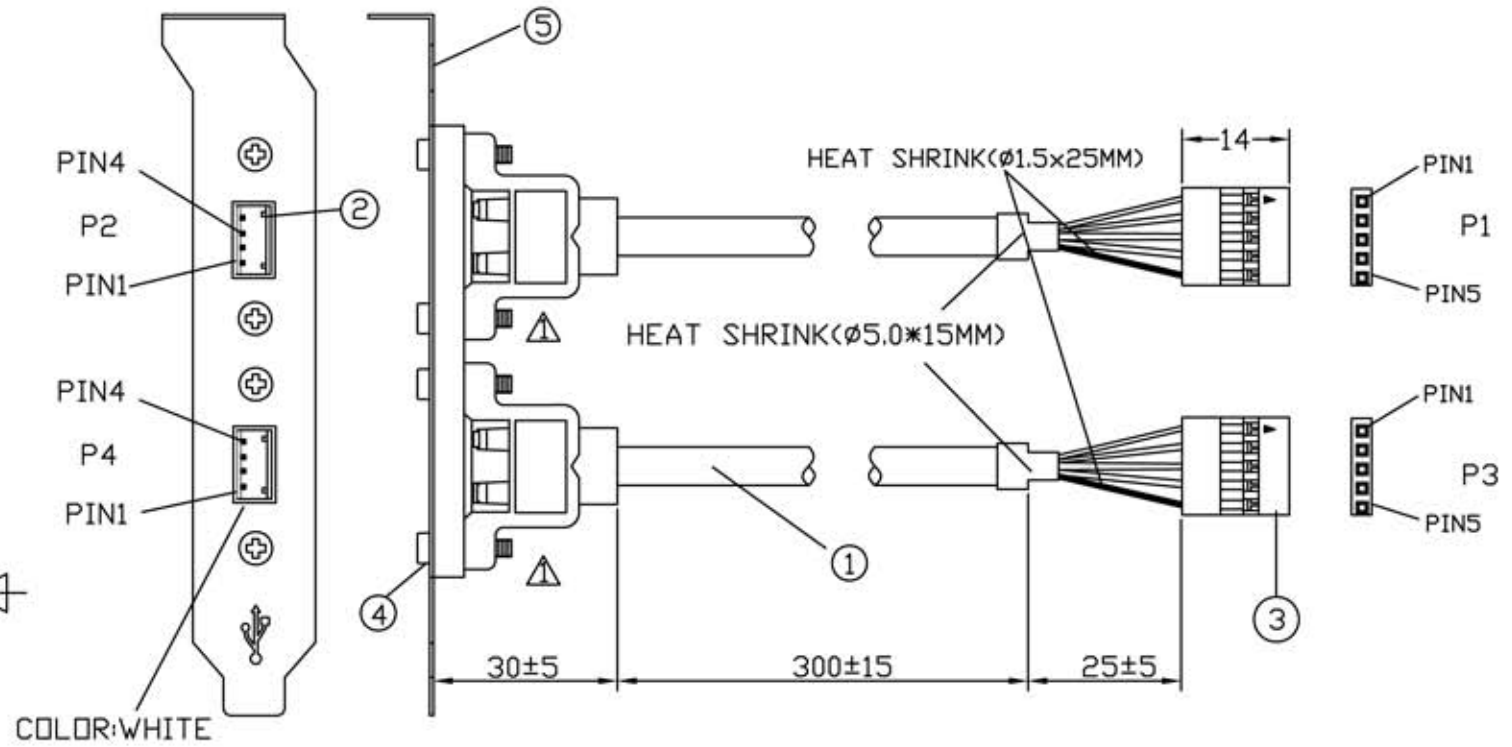


LTR	RevNo	Revision note	Date	Signature	Checked
⚠	2.0	MODIFY:MODEL	2010.12.22		



NO.	PART NAME	Q'TY	SPECIFICATION
5.	BREAKET	1	ONE SIDE BREAK THE EDGE
4.	SCREW+HEX.UNT	4	PM:3*10 TYPE<HEX.UNT COVERD INSIDE>
3.	CONNECTOR	2	5PIN HOUSING (YY-1800-H05+YY-1800-TFGB)
2.	CONNECTOR	2	USB A JACK PIN GOLD FLASH
1.	CABLE	2	USB 2.0 UL2725 (#28×1PAIR+#24×2C),W/AL-MY+ BRAID<MEAB> ∅D:4.5MM, BEIGE PVC JACKET

RANGE	0~10	11~25	26~40	41~60	61~80	81~100	X
TOLERANCE(±)	0.10	0.15	0.20	0.25	0.30	0.35	2%
TITLE: 2xUSB A JACK/ 2x5PIN HOUSING (GOLD PLATED)		Buyer	Date	Unit	Rev.	Dwg no.	
		DEL	2010.12.22	mm	2.0	USB-1	
DRN BY	CHK BY	APE BY					