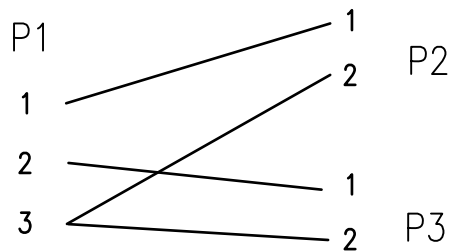
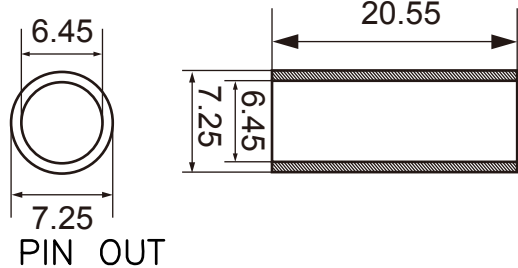
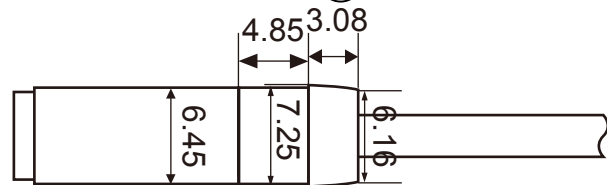
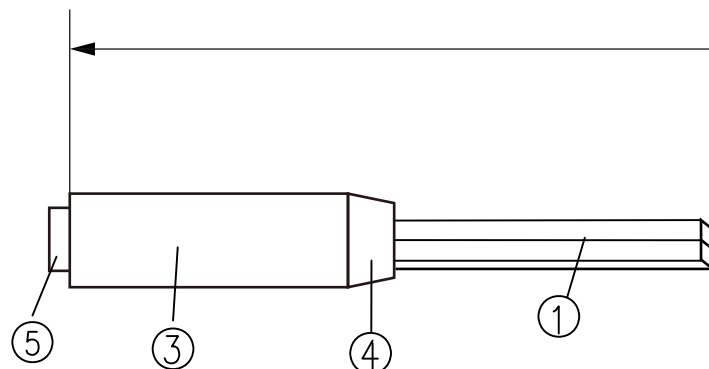
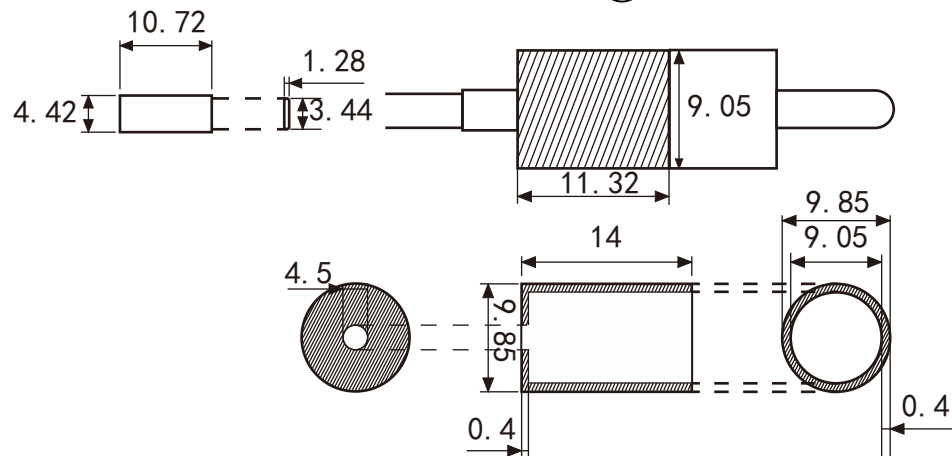
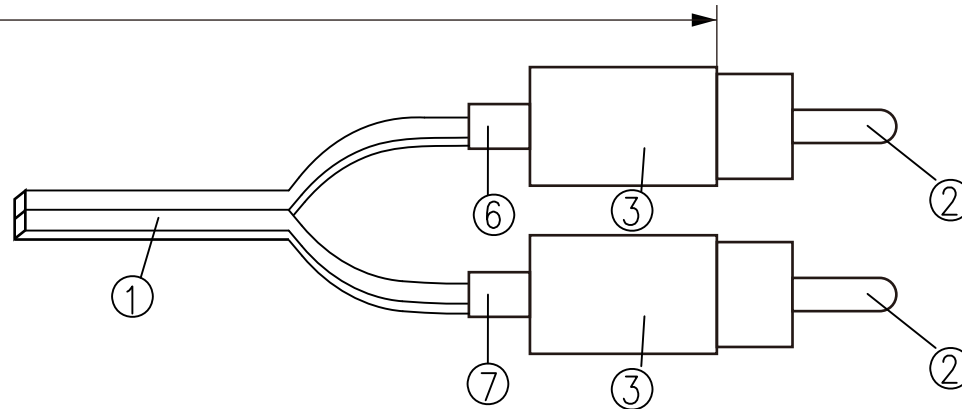


P1



NOTES:  
 1. TESTING: 100% OPEN AND SHORT TEST.  
 2. ALL MATERIAL BE RoHS COMPLIANT.

0.1m



P2

⑦	HOOD MOLD	1PCS	RED PVC
⑥	HOOD MOLD	1PCS	WHITE PVC
⑤	3.5mm FEMALE	1PCS	GOLD PLATED SHELL
④	HOOD MOLD	1PCS	BLACK PVC
③	BRASS HOOD	3PCS	BLACK NICKEL PLATED
②	RCA MALE	2PCS	GOLD PLATED SHELL
①	CABLE	2PCS	30AWG*4P+BLACK TPE JACKET FLAT CABLE OD:1.2x3.5mm
NO.	PARTS NAMF	Q'TY	SPFCIFICATION

APPROVED	CHECKED	DRAWN	CUSTOMER:	
			ITEM NO.	AUD-204
			DRAW NO.	
			UNIT	mm
			SCALE	NONE

DESCRIPTION:

2xRCA /M----3.5mm/F



DELTA