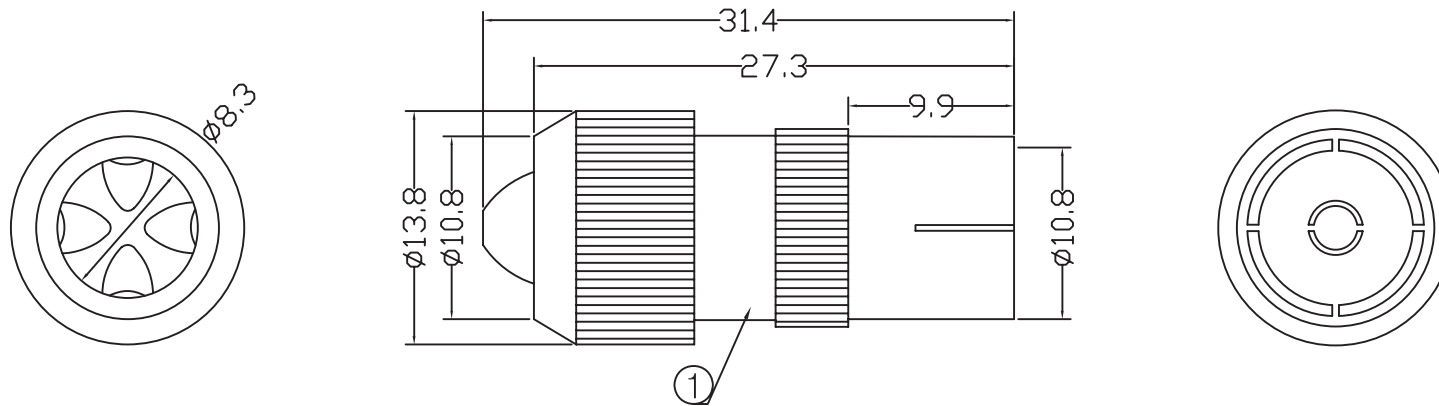


BY	CHK	REVISION RECORD MODIFICATIONS	DATE	REV.
Jimmy	Dayi	RELEASE TO PRODUCTION	2007.03.15	A.0



Notes:

1.Electrical Test:

(1.1).100% Open Short and Miss Wire Test.

(1.2).Insulation Resistance:DC300V/0.01S 500K ohm MIN.

(1.3).Conduct Resistance:5ohm MAX.

2.ROHS Standard

①	Connector	9.5 Jack Brass Material,Insulation:White,Shell:Gold Plated,Assembling Type	1PC
NO.	PARTS NO.	Parts Name	Specification
			Q`TY

APPROVED	CHECKED	DRAWN	CUSTOMER:	SWEDELTAO
			ITEM NO.	Del-666
			DRAW NO.	CB043-C265
			UNIT	mm
			SCALE	NONE

DESCRIPTION:

9.5 Jack CONNECTOR

